

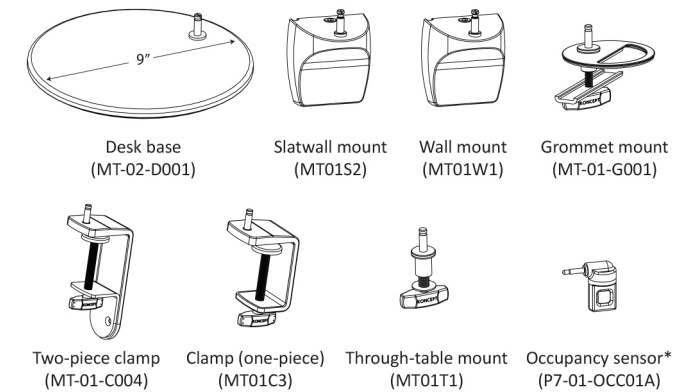
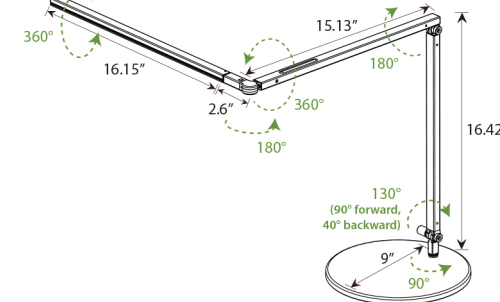
# Z-BAR®

## KONCEPT

Lumens:	475
Energy Consumption:	9.5 watts
Number of LEDs:	42 LEDs
LED Rated Lifespan:	50,000 hours
Color Temperature (Typical) – Cool:	4,500 K
Color Temperature (Typical) – Warm:	3,500 K
Color Rendering Index (CRI):	85
Dimmer:	Built-in touchstrip
Brightness Adjustability:	Multiple dimming levels
Standard Color Finish*:	Metallic Black, Silver
Material:	Aluminum/Plastic
Cord Color:	Black
Cord Length:	10'
Transformer (100–240 V; 50/60 Hz):	Included – C-UL-US Certified
Maximum Brightness** (15" above desk):	165 fc

\*Custom colors are available at additional cost. Contact Koncept or your sales representative for a quote.  
 \*\*Maximum brightness is measured on diffused models.

- AR3000-
- CD = Cool White Light
  - WD = Warm White Light
  - MBK = Metallic Black
  - SIL = Silver
  - DSK = Desk Base
  - CLP = Clamp (One-Piece)
  - 2CL = Two-Piece Clamp
  - SLT = Slatwall Mount
  - WAL = Wall Mount
  - GRM = Grommet Mount
  - THR = Through-Table Mount



### Potential LEED Points:

#### Energy & Atmosphere (EA)

*Credit 1.1: Optimize Energy Performance*  
 LED lighting to reduce energy consumption.  
 (Potential points: 3)

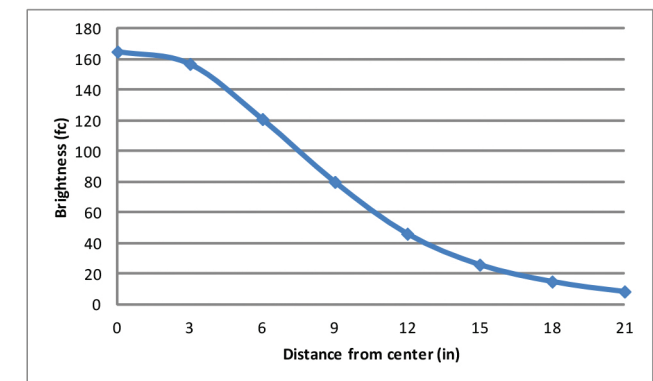
#### Innovation In Design (ID)

*Credit 1.1- 1.4: Innovation in Design*  
 Z-Bar® features the original three-bar design for maximum reach and flexibility. The LED head can spin in its socket, sweep side to side, and rotate around the end of the arm to point in any direction. The lamp also features a built-in touchstrip for brightness adjustability.  
 (Potential points: 4)

#### Materials & Resources (MR)

*Credit 4.1: Recycled Content - 10%*  
 Lamps contain parts made out of 10% pre-consumer recycled content.  
 (Potential points: 1)  
*Credit 4.2: Recycled Content - 20%*  
 Lamps contain parts made out of 20% pre-consumer recycled content.  
 (Potential points: 2)

Light source placed at 15" away from worksurface



(Shown: photometrics of diffused light model)

"Best of Category" in I.D. Magazine's 2006 Annual Design Review  
 Permanent collection at Die Neue Sammlung, Munich  
 TIME Magazine's "Best Inventions Of The Year" 2007

The Z-Bar® collection broke the mold for desk and floor lamp design and introduced the world to Koncept's contemporary stylings. Our designers tossed away the bulb-and-shade for a flexible, streamlined design that contained LEDs and three simple bars. Add intuitive on/off functionality with a dimming option and the rest, as they say, is history. With several sizes to choose from, there's a Z-Bar® for every need.

Energy Star certified  
 Lamp contains 38% preconsumer recycled material by weight\*  
 Aluminum housing is fully recyclable  
 All color finishes use water-based paint

LEDs do not contain mercury

\*in standard configuration (includes transformer and weighted base)



# KONCEPT